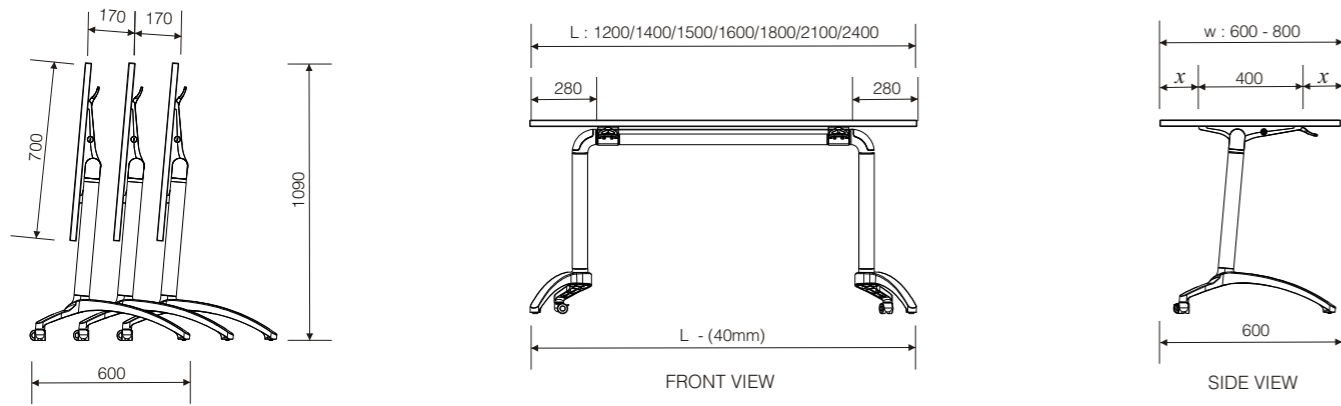
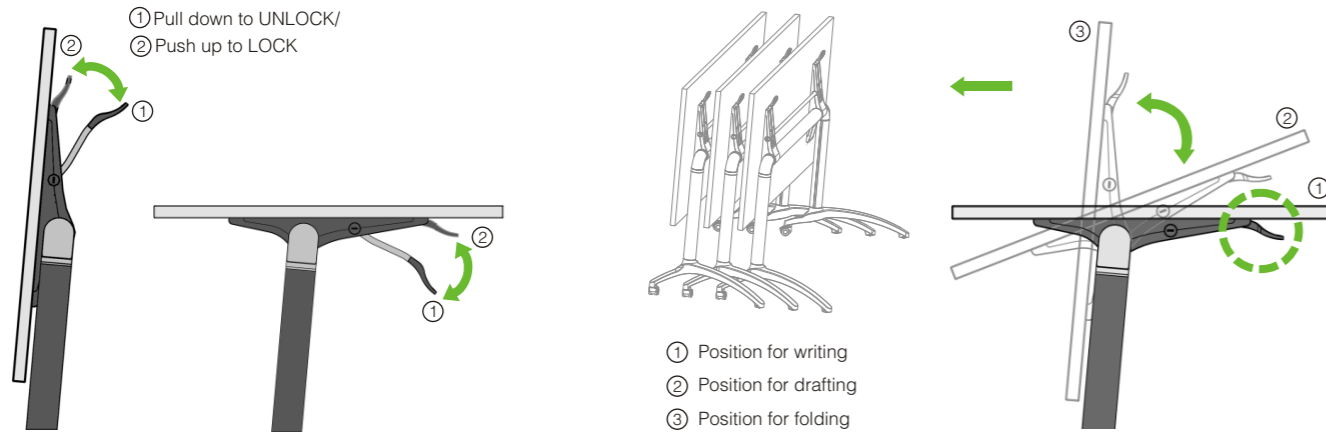


Swift
Statement of line



Swift



Technical Specification:

- Table top in Melamine Faced Chipboard or HPL.
- The legs are made of diecast aluminium in chrome or epoxy finishes.
- The mechanism housing and the elbow connector are made of diecast aluminium.
- Swift folding table conforms to ANSI / BIFMA X5. 5.



Bristol products distributed exclusively by Office Design Studio



Office Design Studio
2221 Rosecrans Ave
El Segundo, Ca 90245
Tel: 310-725-9911
www.OfficeDesignStudio.com







Swift

The Swift folding table marks a completely new generation of tables: it can be folded up compactly and rolled away when a table is not required, and conversely be unfolded to full size again in no time.

Swift allows versatile space utilization concepts and intelligent employment of office space and human resources to be implemented at our working space, even in prestigious management interiors.

Swift, the folding table where elegance meets practicality.

Swift.

This is what we called versatility.

Swift, a revolutionary design where versatility becomes a significant feature.

Whether it is an impromptu meeting, discussion session or training session. A simple push is what it takes to transform the whole arrangement in the office. It is definitely flexible and more importantly, it is time-saving.





Swift has 3 locking positions to serve different purposes such as writing, drafting and folding.



Swift can be nested neatly when it is not in use.



A wirebox is integrated into the desktops to establish connection to electricity and internet.



Wires are routed up to the tabletop using wire clips on the legs.



Optional modesty panel that can be folded along the table.

Swift.

Arrange everything in place swiftly.

Swift is just as what its name implies.

Everything can be arranged properly in no time. With Swift, you are perfectly equipped when organizing seminars or training sessions regardless where you are. Without much effort, you can just push as many tables that you need into the exact position that you required.

Experience a more comfortable and hassle-free seminar or training session with Swift.



Optional metal drawer for storage.